

# LM317L 3-TERMINAL ADJUSTABLE REGULATOR

SLCS144 – JULY 2004

- Output Voltage Range Adjustable From 1.2 V to 32 V When Used With an External Resistor Divider
- Output Current Capability of 100 mA
- Input Regulation Typically 0.01% Per Input-Voltage Change
- Output Regulation Typically 0.5%
- Ripple Rejection Typically 80 dB
- For Higher Output Current Requirements, See LM317M (500 mA) and LM317 (1.5 A)

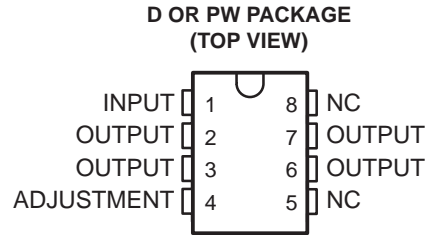
## description/ordering information

The LM317L is an adjustable three-terminal positive-voltage regulator capable of supplying 100 mA over an output-voltage range of 1.2 V to 32 V. It is exceptionally easy to use and requires only two external resistors to set the output voltage.

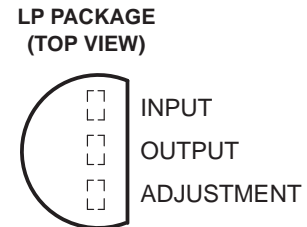
In addition to higher performance than fixed regulators, this regulator offers full overload protection, available only in integrated circuits. Included on the chip are current-limiting and thermal-overload protection. All overload-protection circuitry remains fully functional, even when ADJUSTMENT is disconnected. Normally, no capacitors are needed unless the device is situated far from the input filter capacitors, in which case an input bypass is needed. An optional output capacitor can be added to improve transient response. ADJUSTMENT can be bypassed to achieve very high ripple rejection, which is difficult to achieve with standard three-terminal regulators.

In addition to replacing fixed regulators, the LM317L regulator is useful in a wide variety of other applications. Since the regulator is floating and sees only the input-to-output differential voltage, supplies of several hundred volts can be regulated as long as the maximum input-to-output differential is not exceeded. Its primary application is that of a programmable output regulator, but by connecting a fixed resistor between ADJUSTMENT and OUTPUT, this device can be used as a precision current regulator. Supplies with electronic shutdown can be achieved by clamping ADJUSTMENT to ground, programming the output to 1.2 V, where most loads draw little current.

The LM317LC is characterized for operation over the virtual junction temperature range of 0°C to 125°C.



NC – No internal connection  
OUTPUT terminals are all internally connected.



## ORDERING INFORMATION

T <sub>J</sub>	PACKAGE†		ORDERABLE PART NUMBER	TOP-SIDE MARKING
0°C to 125°C	SOIC (D)	Tube of 75	LM317LCD	L317LC
		Reel of 2500	LM317LCDR	
	TO-226 / TO-92 (LP)	Bulk of 1000	LM317LCLP	L317LC
		Reel of 2000	LM317LCLPR	
	TSSOP (PW)	Tube of 150	LM317LCPW	L317LC
		Reel of 2000	LM317LCPWR	

† Package drawings, standard packing quantities, thermal data, symbolization, and PCB design guidelines are available at [www.ti.com/sc/package](http://www.ti.com/sc/package).



Please be aware that an important notice concerning availability, standard warranty, and use in critical applications of Texas Instruments semiconductor products and disclaimers thereto appears at the end of this data sheet.

PRODUCTION DATA information is current as of publication date. Products conform to specifications per the terms of Texas Instruments standard warranty. Production processing does not necessarily include testing of all parameters.

 **TEXAS  
INSTRUMENTS**

POST OFFICE BOX 655303 • DALLAS, TEXAS 75265

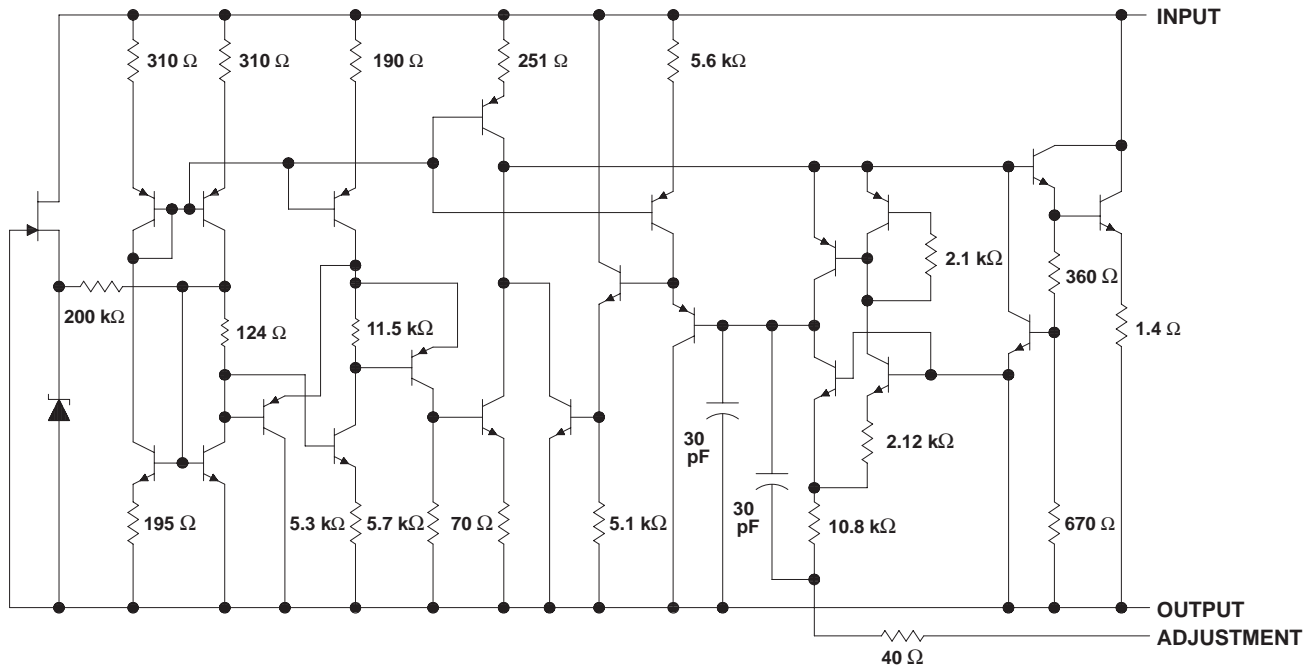
Copyright © 2004, Texas Instruments Incorporated

# LM317L

## 3-TERMINAL ADJUSTABLE REGULATOR

SLCS144 – JULY 2004

### schematic



NOTE A: All component values shown are nominal.

### absolute maximum ratings over operating temperature range (unless otherwise noted)†

Input-to-output differential voltage, $V_I - V_O$ .....	35 V
Package thermal impedance, $\theta_{JA}$ (see Notes 1 and 2): D package .....	97°C/W
LP package .....	140°C/W
PW package .....	149°C/W
Operating virtual junction temperature, $T_J$ .....	150°C
Storage temperature range, $T_{stg}$ .....	-65°C to 150°C

† Stresses beyond those listed under “absolute maximum ratings” may cause permanent damage to the device. These are stress ratings only, and functional operation of the device at these or any other conditions beyond those indicated under “recommended operating conditions” is not implied. Exposure to absolute-maximum-rated conditions for extended periods may affect device reliability.

- NOTES: 1. Maximum power dissipation is a function of  $T_J(\max)$ ,  $\theta_{JA}$ , and  $T_A$ . The maximum allowable power dissipation at any allowable ambient temperature is  $P_D = (T_J(\max) - T_A)/\theta_{JA}$ . Operating at the absolute maximum  $T_J$  of 150°C can affect reliability.  
 2. The package thermal impedance is calculated in accordance with JESD 51-7.

### recommended operating conditions

		MIN	MAX	UNIT
$V_I - V_O$	Input-to-output voltage differential		35	V
$I_O$	Output current	2.5	100	mA
$T_J$	Operating virtual-junction temperature			
				LM317LC
		0	125	°C



# LM317L

## 3-TERMINAL ADJUSTABLE REGULATOR

SLCS144 – JULY 2004

**electrical characteristics over recommended operating virtual-junction temperature range (unless otherwise noted)**

PARAMETER	TEST CONDITIONST		LM317LC			UNIT
			MIN	TYP	MAX	
Input voltage regulation (see Note 3)	$V_I - V_O = 5\text{ V to }35\text{ V}$	$T_J = 25^\circ\text{C}$	0.01	0.02		%V
		$I_O = 2.5\text{ mA to }100\text{ mA}$	0.02	0.05		
Ripple regulation	$V_O = 10\text{ V},$	$f = 120\text{ Hz}$	65			dB
	$V_O = 10\text{ V},$ 10- $\mu\text{F}$ capacitor between ADJUSTMENT and ground		66	80		
Output voltage regulation	$V_I = 5\text{ V to }35\text{ V},$ $I_O = 2.5\text{ mA to }100\text{ mA},$ $T_J = 25^\circ\text{C}$	$V_O \leq 5\text{ V}$	25			mV
		$V_O \geq 5\text{ V}$	5			mV/V
	$V_I = 5\text{ V to }35\text{ V},$ $I_O = 2.5\text{ mA to }100\text{ mA}$	$V_O \leq 5\text{ V}$	50			mV
		$V_O \geq 5\text{ V}$	10			mV/V
Output voltage change with temperature	$T_J = 0^\circ\text{C to }125^\circ\text{C}$		10			mV/V
Output voltage long-term drift	After 1000 hours at $T_J = 125^\circ\text{C}$ and $V_I - V_O = 35\text{ V}$		3	10		mV/V
Output noise voltage	$f = 10\text{ Hz to }10\text{ kHz},$ $T_J = 25^\circ\text{C}$		30			$\mu\text{V/V}$
Minimum output current to maintain regulation	$V_I - V_O = 35\text{ V}$		1.5	2.5		mA
Peak output current	$V_I - V_O \leq 35\text{ V}$		100	200		mA
ADJUSTMENT current			50	100		$\mu\text{A}$
Change in ADJUSTMENT current	$V_I - V_O = 2.5\text{ V to }35\text{ V},$	$I_O = 2.5\text{ mA to }100\text{ mA}$	0.2	5		$\mu\text{A}$
Reference voltage (output to ADJUSTMENT)	$V_I - V_O = 5\text{ V to }35\text{ V},$ $P \leq \text{rated dissipation}$	$I_O = 2.5\text{ mA to }100\text{ mA},$	1.2	1.25	1.3	V

† Unless otherwise noted, these specifications apply for the following test conditions:  $V_I - V_O = 5\text{ V}$  and  $I_O = 40\text{ mA}$ . Pulse-testing techniques must be used that maintain the junction temperature as close to the ambient temperature as possible. All characteristics are measured with a 0.1- $\mu\text{F}$  capacitor across the input and a 1- $\mu\text{F}$  capacitor across the output.

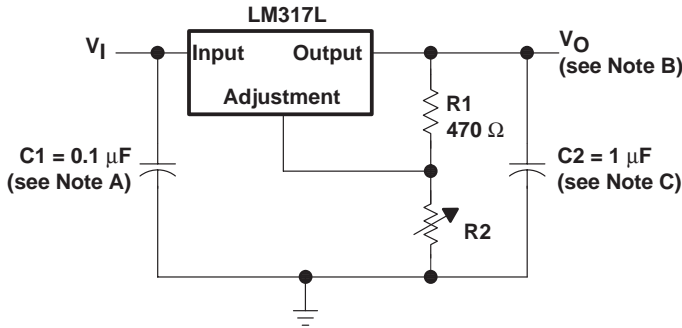
NOTE 3: Input voltage regulation is expressed here as the percentage change in output voltage per 1-V change at the input.

# LM317L

## 3-TERMINAL ADJUSTABLE REGULATOR

SLCS144 – JULY 2004

### APPLICATION INFORMATION



NOTES: A. Use of an input bypass capacitor is recommended if regulator is far from the filter capacitors.

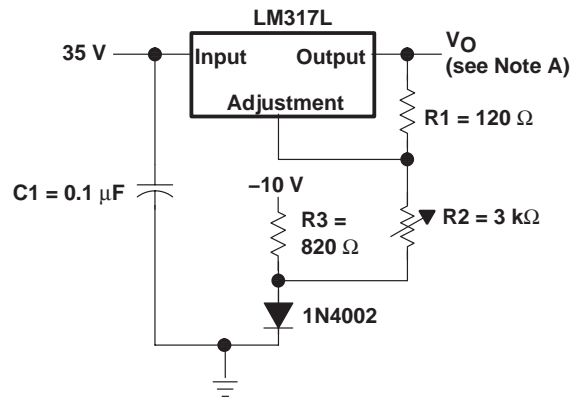
B. Output voltage is calculated from the equation:

$$V_O = V_{ref} \left( 1 + \frac{R2}{R1} \right)$$

where:  $V_{ref}$  equals the difference between OUTPUT and ADJUSTMENT voltages ( $\approx 1.25$  V).

C. Use of an output capacitor improves transient response, but is optional.

Figure 1. Adjustable Voltage Regulator

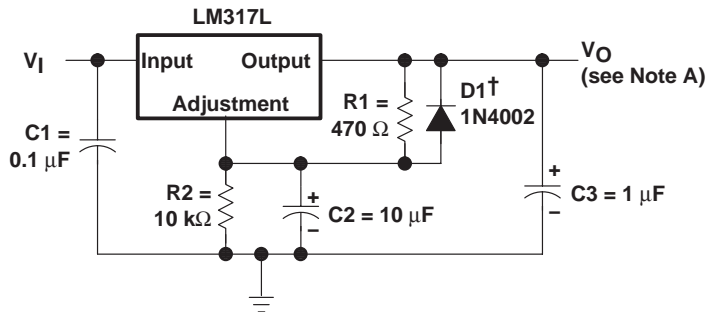


NOTE A: Output voltage is calculated from the equation:

$$V_O = V_{ref} \left( 1 + \frac{R2 + R3}{R1} \right) - 10 \text{ V}$$

where:  $V_{ref}$  equals the difference between OUTPUT and ADJUSTMENT voltages ( $\approx 1.25$  V).

Figure 2. 0-V to 30-V Regulator Circuit



† D1 discharges C2 if output is shorted to ground.

NOTE A: Use of an output capacitor improves transient response, but is optional.

Figure 3. Regulator Circuit With Improved Ripple Rejection

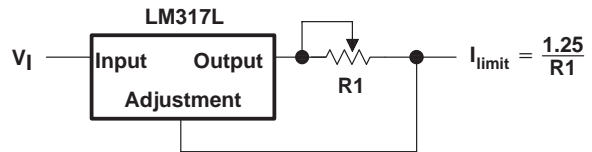


Figure 4. Precision Current-Limiter Circuit

## APPLICATION INFORMATION

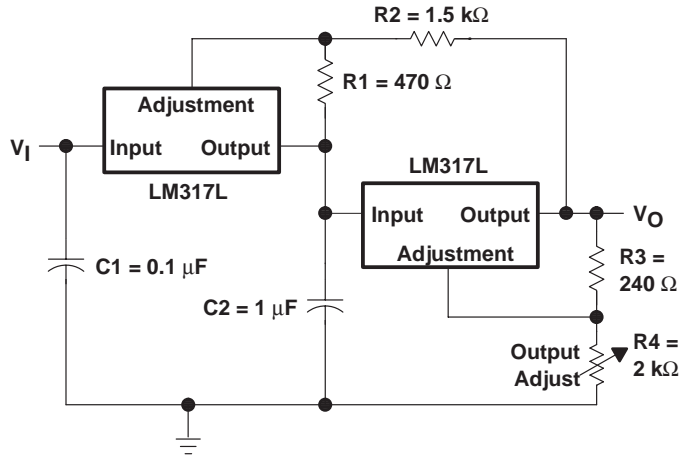


Figure 5. Tracking Preregulator Circuit

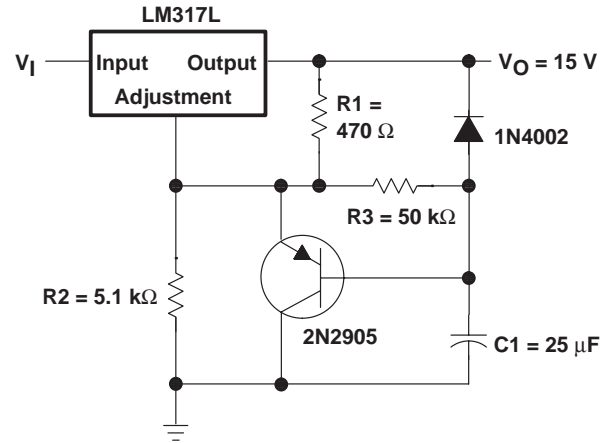


Figure 6. Slow-Turnon 15-V Regulator Circuit

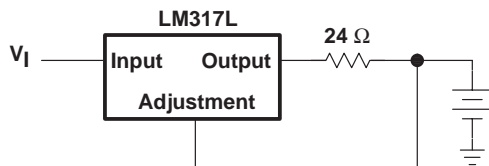


Figure 7. 50-mA Constant-Current Battery-Charger Circuit

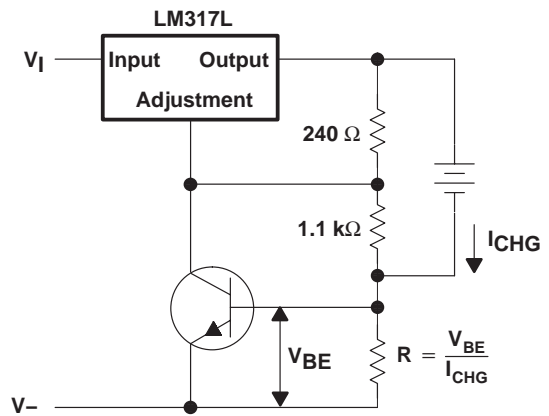
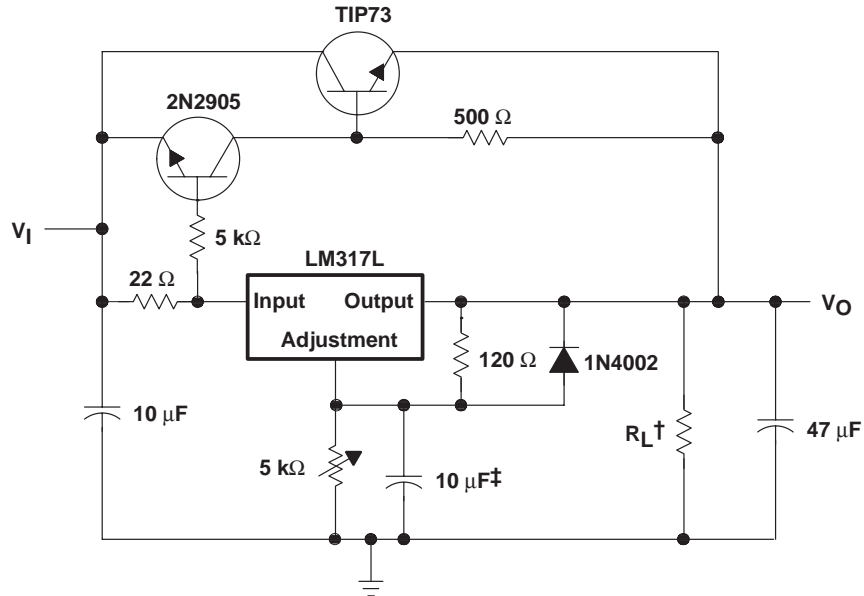


Figure 8. Current-Limited 6-V Charger

# LM317L 3-TERMINAL ADJUSTABLE REGULATOR

SLCS144 – JULY 2004

## APPLICATION INFORMATION



† Minimum load current is 30 mA.

‡ Optional capacitor improves ripple rejection.

Figure 9. High-Current Adjustable Regulator

**PACKAGING INFORMATION**

Orderable Device	Status <sup>(1)</sup>	Package Type	Package Drawing	Pins	Package Qty	Eco Plan <sup>(2)</sup>	Lead/Ball Finish	MSL Peak Temp <sup>(3)</sup>
LM317LCD	ACTIVE	SOIC	D	8	75	Pb-Free (RoHS)	CU NIPDAU	Level-2-260C-1 YEAR/ Level-1-235C-UNLIM
LM317LCDR	ACTIVE	SOIC	D	8	2500	Pb-Free (RoHS)	CU NIPDAU	Level-2-260C-1 YEAR/ Level-1-235C-UNLIM
LM317LCLP	ACTIVE	TO-92	LP	3	1000	None	CU SNPB	Level-NC-NC-NC
LM317LCLPR	ACTIVE	TO-92	LP	3	2000	None	CU SNPB	Level-NC-NC-NC
LM317LCPW	ACTIVE	TSSOP	PW	8	150	Pb-Free (RoHS)	CU NIPDAU	Level-1-250C-UNLIM
LM317LCPWR	ACTIVE	TSSOP	PW	8	2000	Pb-Free (RoHS)	CU NIPDAU	Level-1-250C-UNLIM

<sup>(1)</sup> The marketing status values are defined as follows:

**ACTIVE:** Product device recommended for new designs.

**LIFEBUY:** TI has announced that the device will be discontinued, and a lifetime-buy period is in effect.

**NRND:** Not recommended for new designs. Device is in production to support existing customers, but TI does not recommend using this part in a new design.

**PREVIEW:** Device has been announced but is not in production. Samples may or may not be available.

**OBsolete:** TI has discontinued the production of the device.

<sup>(2)</sup> Eco Plan - May not be currently available - please check <http://www.ti.com/productcontent> for the latest availability information and additional product content details.

**None:** Not yet available Lead (Pb-Free).

**Pb-Free (RoHS):** TI's terms "Lead-Free" or "Pb-Free" mean semiconductor products that are compatible with the current RoHS requirements for all 6 substances, including the requirement that lead not exceed 0.1% by weight in homogeneous materials. Where designed to be soldered at high temperatures, TI Pb-Free products are suitable for use in specified lead-free processes.

**Green (RoHS & no Sb/Br):** TI defines "Green" to mean "Pb-Free" and in addition, uses package materials that do not contain halogens, including bromine (Br) or antimony (Sb) above 0.1% of total product weight.

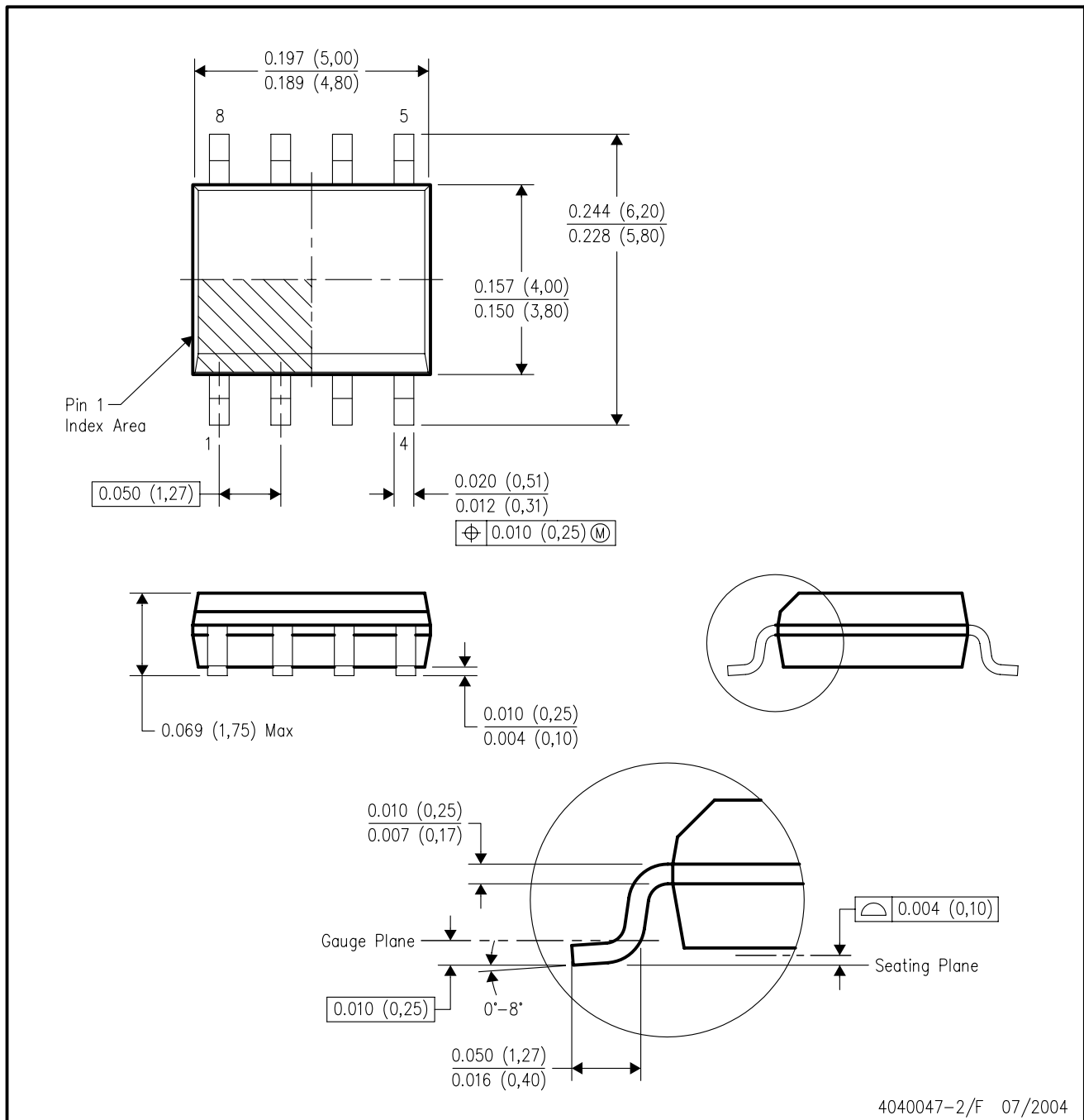
<sup>(3)</sup> MSL, Peak Temp. -- The Moisture Sensitivity Level rating according to the JEDEC industry standard classifications, and peak solder temperature.

**Important Information and Disclaimer:** The information provided on this page represents TI's knowledge and belief as of the date that it is provided. TI bases its knowledge and belief on information provided by third parties, and makes no representation or warranty as to the accuracy of such information. Efforts are underway to better integrate information from third parties. TI has taken and continues to take reasonable steps to provide representative and accurate information but may not have conducted destructive testing or chemical analysis on incoming materials and chemicals. TI and TI suppliers consider certain information to be proprietary, and thus CAS numbers and other limited information may not be available for release.

In no event shall TI's liability arising out of such information exceed the total purchase price of the TI part(s) at issue in this document sold by TI to Customer on an annual basis.

D (R-PDSO-G8)

PLASTIC SMALL-OUTLINE PACKAGE

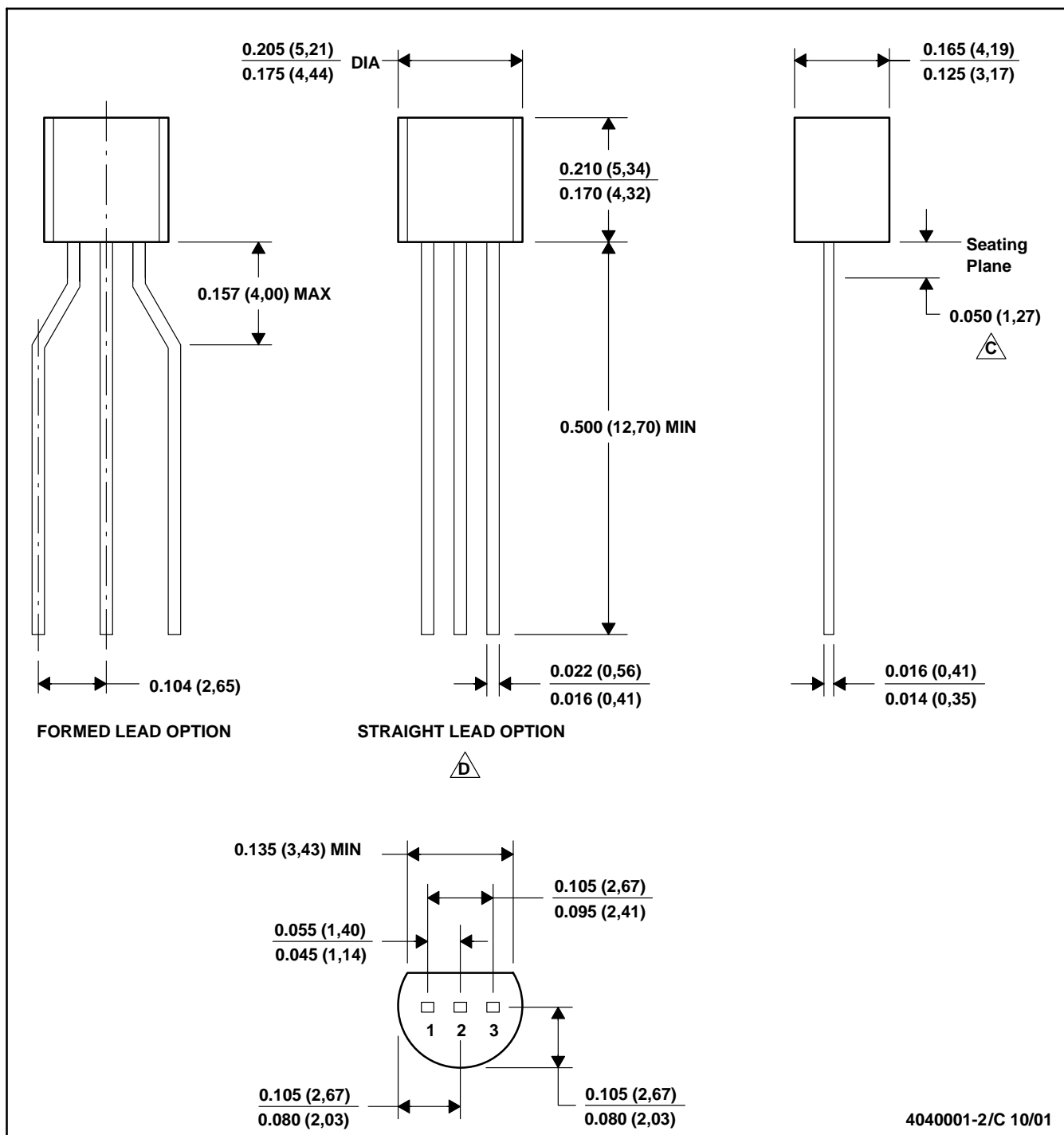


- NOTES:
- A. All linear dimensions are in inches (millimeters).
  - B. This drawing is subject to change without notice.
  - C. Body dimensions do not include mold flash or protrusion not to exceed 0.006 (0,15).
  - D. Falls within JEDEC MS-012 variation AA.



LP (O-PBCY-W3)

PLASTIC CYLINDRICAL PACKAGE



4040001-2/C 10/01

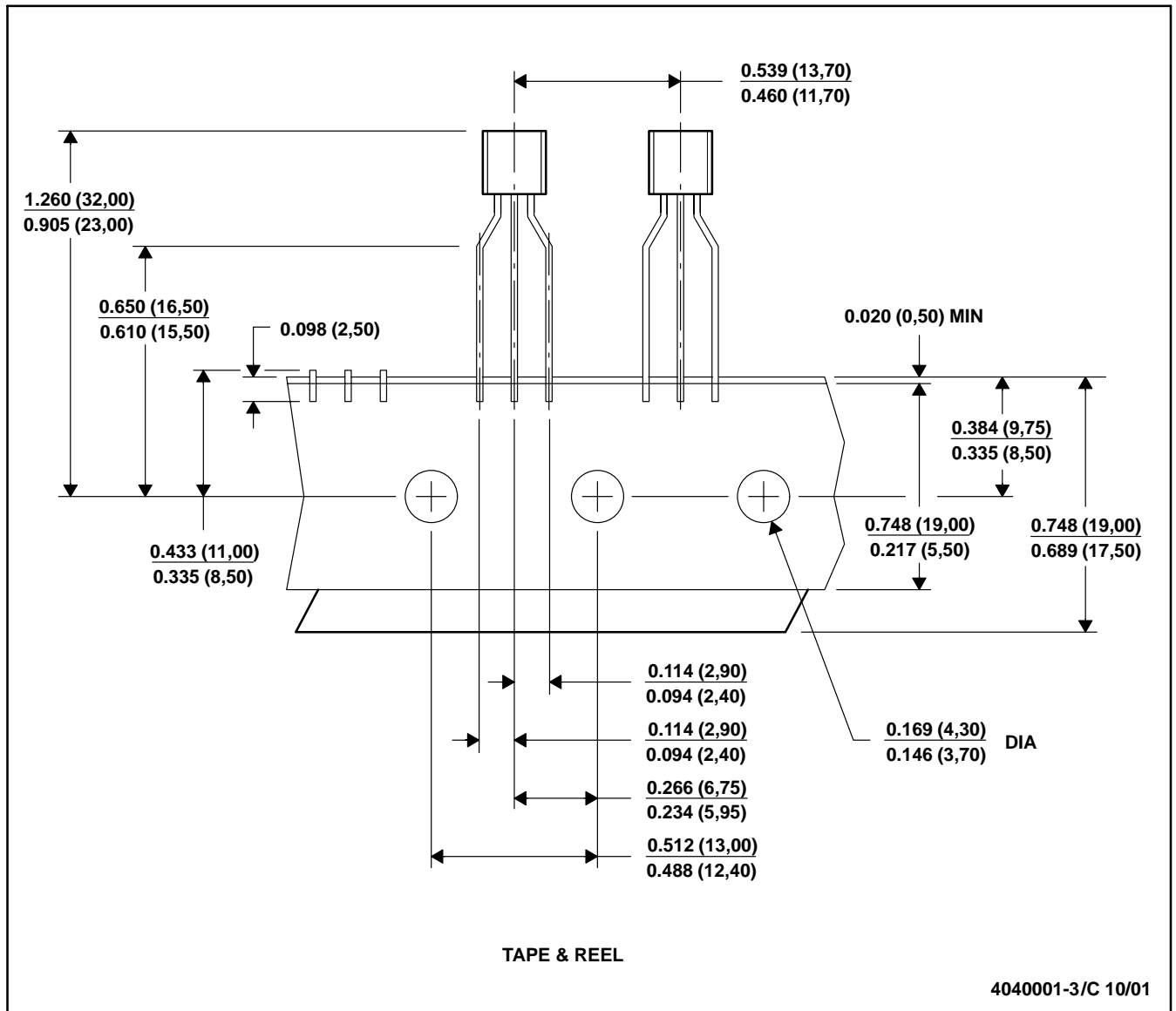


# MECHANICAL DATA

MSOT002A – OCTOBER 1994 – REVISED NOVEMBER 2001

LP (O-PBCY-W3)

PLASTIC CYLINDRICAL PACKAGE



- NOTES: A. All linear dimensions are in inches (millimeters).  
 B. This drawing is subject to change without notice.  
 C. Tape and Reel information for the Format Lead Option package.

PW (R-PDSO-G\*\*)

PLASTIC SMALL-OUTLINE PACKAGE

14 PINS SHOWN



4040064/F 01/97

- NOTES: A. All linear dimensions are in millimeters.  
 B. This drawing is subject to change without notice.  
 C. Body dimensions do not include mold flash or protrusion not to exceed 0,15.  
 D. Falls within JEDEC MO-153

## IMPORTANT NOTICE

Texas Instruments Incorporated and its subsidiaries (TI) reserve the right to make corrections, modifications, enhancements, improvements, and other changes to its products and services at any time and to discontinue any product or service without notice. Customers should obtain the latest relevant information before placing orders and should verify that such information is current and complete. All products are sold subject to TI's terms and conditions of sale supplied at the time of order acknowledgment.

TI warrants performance of its hardware products to the specifications applicable at the time of sale in accordance with TI's standard warranty. Testing and other quality control techniques are used to the extent TI deems necessary to support this warranty. Except where mandated by government requirements, testing of all parameters of each product is not necessarily performed.

TI assumes no liability for applications assistance or customer product design. Customers are responsible for their products and applications using TI components. To minimize the risks associated with customer products and applications, customers should provide adequate design and operating safeguards.

TI does not warrant or represent that any license, either express or implied, is granted under any TI patent right, copyright, mask work right, or other TI intellectual property right relating to any combination, machine, or process in which TI products or services are used. Information published by TI regarding third-party products or services does not constitute a license from TI to use such products or services or a warranty or endorsement thereof. Use of such information may require a license from a third party under the patents or other intellectual property of the third party, or a license from TI under the patents or other intellectual property of TI.

Reproduction of information in TI data books or data sheets is permissible only if reproduction is without alteration and is accompanied by all associated warranties, conditions, limitations, and notices. Reproduction of this information with alteration is an unfair and deceptive business practice. TI is not responsible or liable for such altered documentation.

Resale of TI products or services with statements different from or beyond the parameters stated by TI for that product or service voids all express and any implied warranties for the associated TI product or service and is an unfair and deceptive business practice. TI is not responsible or liable for any such statements.

Following are URLs where you can obtain information on other Texas Instruments products and application solutions:

<b>Products</b>		<b>Applications</b>	
Amplifiers	<a href="http://amplifier.ti.com">amplifier.ti.com</a>	Audio	<a href="http://www.ti.com/audio">www.ti.com/audio</a>
Data Converters	<a href="http://dataconverter.ti.com">dataconverter.ti.com</a>	Automotive	<a href="http://www.ti.com/automotive">www.ti.com/automotive</a>
DSP	<a href="http://dsp.ti.com">dsp.ti.com</a>	Broadband	<a href="http://www.ti.com/broadband">www.ti.com/broadband</a>
Interface	<a href="http://interface.ti.com">interface.ti.com</a>	Digital Control	<a href="http://www.ti.com/digitalcontrol">www.ti.com/digitalcontrol</a>
Logic	<a href="http://logic.ti.com">logic.ti.com</a>	Military	<a href="http://www.ti.com/military">www.ti.com/military</a>
Power Mgmt	<a href="http://power.ti.com">power.ti.com</a>	Optical Networking	<a href="http://www.ti.com/opticalnetwork">www.ti.com/opticalnetwork</a>
Microcontrollers	<a href="http://microcontroller.ti.com">microcontroller.ti.com</a>	Security	<a href="http://www.ti.com/security">www.ti.com/security</a>
		Telephony	<a href="http://www.ti.com/telephony">www.ti.com/telephony</a>
		Video & Imaging	<a href="http://www.ti.com/video">www.ti.com/video</a>
		Wireless	<a href="http://www.ti.com/wireless">www.ti.com/wireless</a>

Mailing Address: Texas Instruments  
Post Office Box 655303 Dallas, Texas 75265